

ABSOLUTE DIGIMATIC Caliper

- Electronic caliper with built-in absolute scale.
- One-time setting of origin that remains as the absolute zero position until the battery has to be changed.
- Extraordinary precision even with high speed movement. Large display digits are easy to read.
- Best caliper sliding properties.

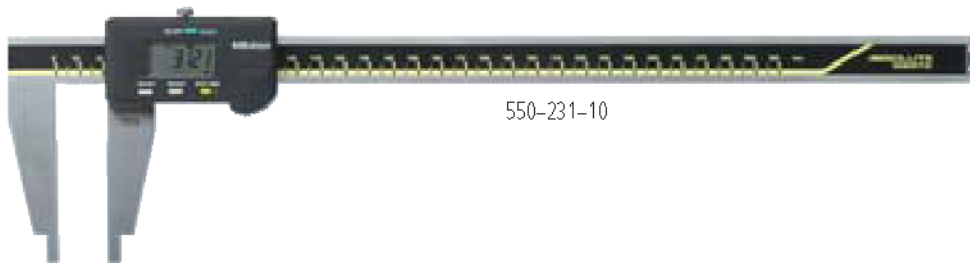
Series 550

With rounded measuring surfaces for the measurement of inside dimensions.
With data output



550-201-20

ABSOLUTE™
Absolute System Patented by MITUTOYO



550-231-10

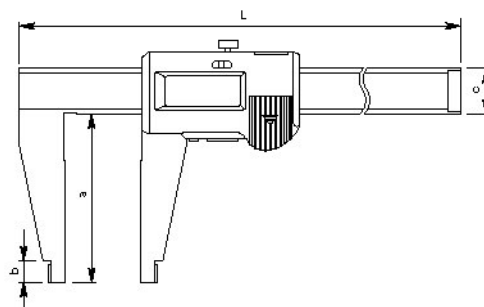
ABSOLUTE™
Absolute System Patented by MITUTOYO

Measuring range mm	No.	Inside measurements mm	Error limits mm	L mm	a mm	b mm	c mm	Mass g
0- 200	550-201-20	10	0,03	290	60	8	16	186
0- 300	550-231-10*	10	0,03	403	75	12	20	380
0- 450	550-203-10	20	0,05	630	100	18	25	1110
0- 600	550-205-10	20	0,05	780	100	18	25	1290
0-1000	550-207-10	20	0,07	1240	140	24	32	3350

* With OFFSET function for direct reading in the case of inside measurements
With PRESET function for the storage of 2 preset values



Sample application



™ Patent numbers see page 480

Functions	550-201-20	550-231-10	550-203-10	550-205-10	550-207-10
ON/OFF	●	●	●	●	●
ZERO / ABS	●	●	●	●	●
ORIGIN	●	●	●	●	●
OFFSET		●			
PRESET (two values)		●			
Data output	●	●	●	●	●

Specifications

Accuracy: Factory specification
Resolution: 0,01 mm

Delivered in soft case,
including 1 battery

Optional accessories

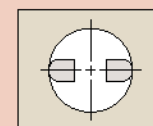
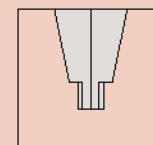
No. 959149 Signal cable
with data switch (1 m)

No. 959150 Signal cable
with data switch (2 m)

No. 959143 Hold-Unit

Consumables Spares

No. 938882 Battery (SR 44)



Rounded measuring surfaces
for the measurement of inside dimensions