

Vertical Measuring Stage

- Compact, reasonably combination unit consisting of dial indicator and measuring stage.
- Suitable for testing small parts in the workshop.

Series 7

With ball probe tip $\varnothing 3$ mm

Specifications

- No. 7051 with disk probe tip
 $\varnothing 6$ mm
- No. 7050*, 7052*, 7053* with ball probe tip
R = 1,5 mm
- No. 902190 Measuring table, steel,
 $\varnothing 80$ mm
- No. 903526 Measuring table, ceramic
 $\varnothing 50$ mm

* When using disk measuring faces (optional accessory) as a probe, parallelism between disk probe and table is not guaranteed.



7050

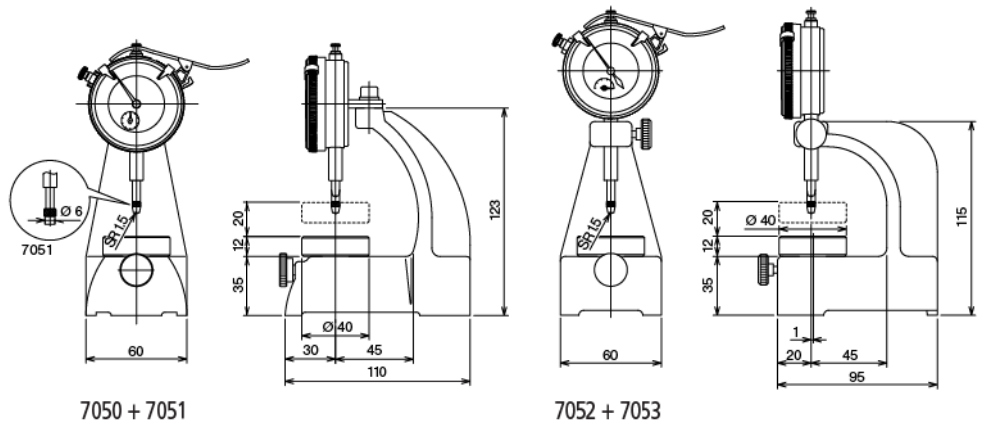


7052



7053

No.	Graduation mm	with dial indicator	Measuring range mm	f_e μm	f_{ges} μm	f_u μm	Stage- \varnothing mm	max. workpiece height mm	Mass g
7050	0,01	2046 S	10	12	15	3	40	21	1180
7051	0,01	2046 S	10	12	15	3	40	20	1570
7052	0,01	2046 SLB	10	12	15	3	40	35	1180
7053	0,001	2109 SLB-10	1	3	5	2	40	30	1195



7050 + 7051

7052 + 7053